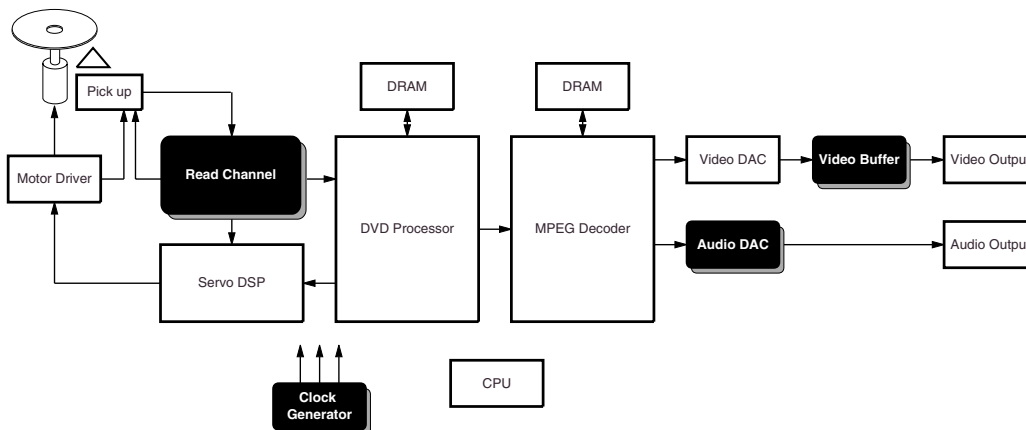
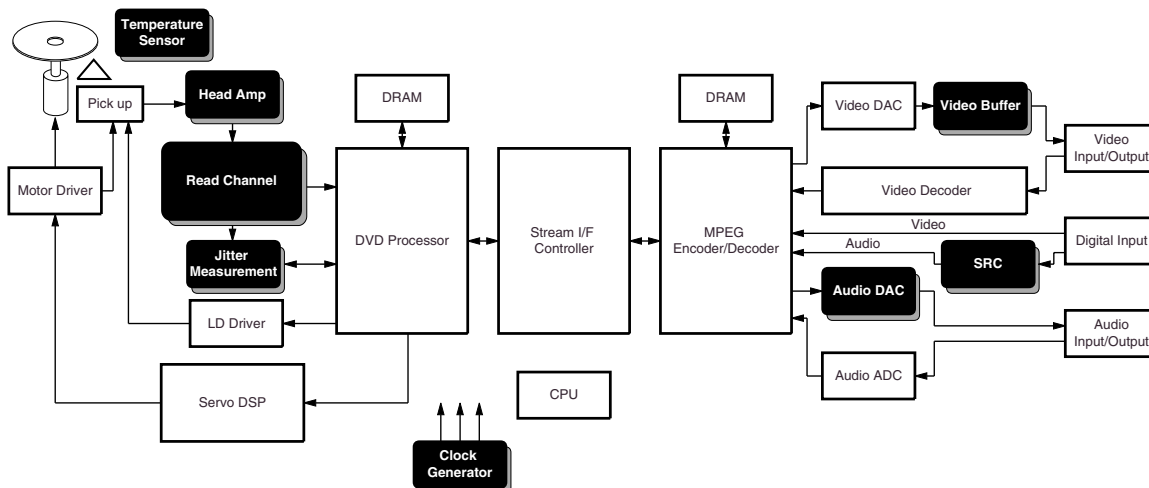


## Block Diagram

### DVD Player



### DVD Recorder



## NPC Products

Clock Generator			
SM8706B	36.8640MHz master clock, 3 clocks with 6-system output, Low jitter.	3.0 to 3.6V	VSOP16
SM8707D/E	27MHz master clock, 3 clocks with 6-system output, Low jitter.	3.0 to 3.6V	VSOP16
SRC			
SM5950A	Asynchronous sample rate converter, Input data format: 16, 20, 24-bit or IIS (16-bit), Input sample rate: 100kHz (max), Output sample rate: 50kHz (max).	3.0 to 3.6V	SSOP24

## NPC Application Guide

Audio DAC			
SM588× series	16/24-bit $\Sigma\Delta$ D/A converter.	4.5 to 5.5V	SOP8
Video Buffer			
SM5300A	3-channel video buffer with built-in lowpass filter, 5MHz to 37MHz variable cutoff frequency, Output buffer gain switching function: 0 ( $\times 1$ ), 3 to 10dB.	4.5 to 5.5V	VSOP28
Head Amp			
SM9104A	For DVD-RAM, ROM/RAM gain switching, low-noise RF signal generator (differential output).	Analog block: 4.5 to 5.5V Digital block: 2.97 to 5.5V	LQFP48
SM9111*	For DVD-R/RW and DVD-ROM, Programmable current-to-voltage converter coefficients.	4.5 to 5.5V	QFN32
Read Channel			
SM9404A	For DVD-RAM, PLL function for data separation, 1/2- to 6 $\times$ -speed of DVD-RAM/ROM, 4 $\times$ - to 32 $\times$ -speed of CD-ROM.	4.5 to 5.5V	LQFP100
SM9410A*	Analog signal processor IC for DVD players, LD-polarity compatible 2-channel drive circuit built-in, Miller signal detection comparator and track count pulse detection comparator built-in.	4.5 to 5.5V	LQFP64
Jitter Measurement			
SM8750A	Data jitter measurement IC, Offset auto-calibration function, 3-wire serial interface mode control.	4.0 to 5.5V	VSOP16
Temperature Sensor			
SM6610 series	Temperature sensor IC, Analog output, Linearity: $\pm 0.5\%$ .	4.0 to 5.5V 2.4 to 5.5V	SC82AB/VSP4

\* : Under development

NIPPON PRECISION CIRCUITS INC. reserves the right to make changes to the products described in this data sheet in order to improve the design or performance and to supply the best possible products. Nippon Precision Circuits Inc. assumes no responsibility for the use of any circuits shown in this data sheet, conveys no license under any patent or other rights, and makes no claim that the circuits are free from patent infringement. Applications for any devices shown in this data sheet are for illustration only and Nippon Precision Circuits Inc. makes no claim or warranty that such applications will be suitable for the use specified without further testing or modification. The products described in this data sheet are not intended to use for the apparatus which influence human lives due to the failure or malfunction of the products. Customers are requested to comply with applicable laws and regulations in effect now and hereinafter, including compliance with export controls on the distribution or dissemination of the products. Customers shall not export, directly or indirectly, any products without first obtaining required licenses and approvals from appropriate government agencies.

 <b>NPC</b> NIPPON PRECISION CIRCUITS INC.	NIPPON PRECISION CIRCUITS INC. 4-3, Fukuzumi 2-chome, Koto-ku, Tokyo 135-8430, Japan Telephone: +81-3-3642-6661 Facsimile: +81-3-3642-6698 <a href="http://www.npc.co.jp/">http://www.npc.co.jp/</a> Email: sales@npc.co.jp
---	---

NK0107AE 2001.10