

OVERVIEW

The SM6451A is a 3-wire serial-controlled electronic variable volume IC for audio applications. It provides electronic volume control for a stereo system (left and right channels), and independent channel attenuation and muting, with greatly enhanced digital zip noise suppression. The chip address function allows up to four SM6451A devices to be connected and individually controlled over the 3-wire control interface from a single CPU. It is available in 16-pin TSSOP packages.

FEATURES

- Stereo inputs and outputs
- Attenuation function
 - 2-channel independent control
 - 1.0dB/step over 80 steps
 - 0 to -80dB range
- Mute function
- 3-wire serial data control (MDT, MCK, MLEN)
- Chip addressing (up to 4 devices can be connected in parallel)
- Low noise
 - $\leq 0.002\%$ THD + noise
 - $10\mu\text{V}_{\text{rms}}$ residual noise
- 5V single power supply
- Silicon-gate CMOS process
- Package: 16-pin TSSOP (Pb free)

APPLICATIONS

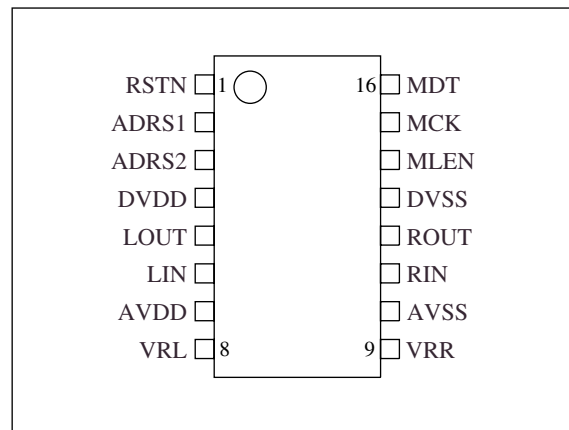
- Audio equipment

ORDERING INFORMATION

Device	Package
SM6451AT	16-pin TSSOP

PINOUT

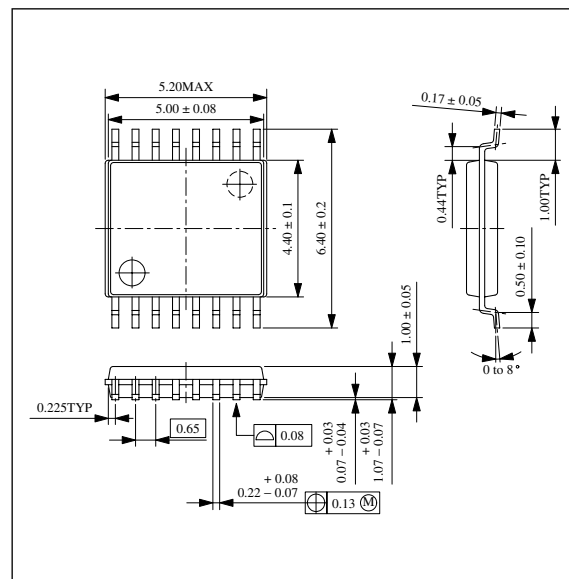
(Top view)



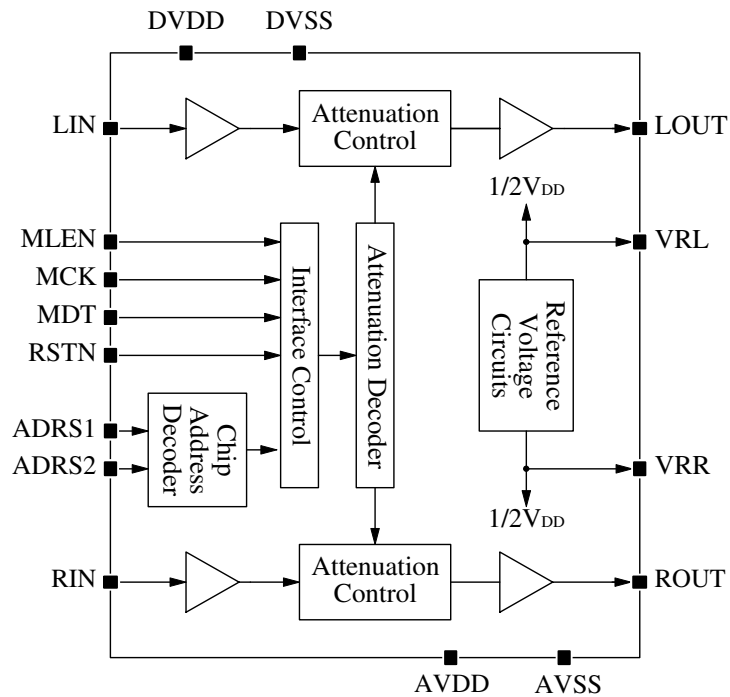
PACKAGE DIMENSIONS

(Unit: mm)

Weight: 0.07g



BLOCK DIAGRAM



PIN DESCRIPTION

Number	Name	I/O ¹	A/D ¹	Description
1	RSTN	Ip	D	System reset input (LOW-level reset)
2	ADRS1	Ip	D	Chip address set 1
3	ADRS2	Ip	D	Chip address set 2
4	DVDD	–	D	Digital supply
5	LOUT	O	A	Left-channel audio output
6	LIN	I	A	Left-channel audio input
7	AVDD	–	A	Analog supply
8	VRL	O	A	Left-channel reference voltage ($0.5V_{DD}$). Connect a $10\mu\text{F}$ capacitor between VRL and AVSS.
9	VRR	O	A	Right-channel reference voltage ($0.5V_{DD}$). Connect a $10\mu\text{F}$ capacitor between VRR and AVSS.
10	AVSS	–	A	Analog ground
11	RIN	I	A	Right-channel audio input
12	ROUT	O	A	Right-channel audio output
13	DVSS	–	D	Digital ground
14	MLEN	Ip	D	Microcontroller latch enable input
15	MCK	Ip	D	Microcontroller clock input
16	MDT	Ip	D	Microcontroller data input

1. Ip = input pin with pull-up, A = analog, D = digital

SPECIFICATIONS

Absolute Maximum Ratings

DVSS = AVSS = 0V, DVDD = AVDD = V_{DD}

Parameter	Symbol	Rating	Unit
Supply voltage	V_{DD}	-0.3 to 7.0	V
Input voltage	V_{IN}	$V_{SS} - 0.3$ to $V_{DD} + 0.3$	V
Power dissipation	P_D	150	mW
Storage temperature	T_{stg}	-55 to 125	°C

Note. Rating applies at power-ON and power-OFF.

Recommended Operating Conditions

DVSS = AVSS = 0V, DVDD = AVDD = V_{DD}

Parameter	Symbol	Rating	Unit
Supply voltage	V_{DD}	4.5 to 5.5	V
Supply voltage deviation	$DV_{DD} - AV_{DD}, DV_{SS} - AV_{SS}$	±0.1	V
Operating temperature	T_{opr}	-40 to 85	°C

DC Characteristics

DVDD = AVDD = $V_{DD} = 4.5$ to 5.5 V, $V_{SS} = 0$ V, $T_a = -40$ to 85 °C

Parameter	Symbol	Condition	Rating			Unit
			min	typ	max	
DVDD Current consumption	I_{DDD1}	Data transfer stopped, MDT, MCK, MLEN, RSTN, ADRS1, ADRS2 = V_{DD}	-	0.3	1.0	μA
	I_{DDD2}	ADRS1 = ADRS2 = 0V, 1.2Vrms analog input, ATT = 0dB, data transfer active	-	1	2	mA
AVDD Current consumption	I_{DDA}		-	4.5	8	mA
HIGH-level input voltage ¹	V_{IH}		$0.7V_{DD}$	-	-	V
LOW-level input voltage ¹	V_{IL}		-	-	$0.3V_{DD}$	V
Input current ¹	I_{IL}	$V_{IN} = 0$ V	-	230	400	μA
Input leakage current ¹	I_{IH}	$V_{IN} = V_{DD}$	-	-	1.0	μA

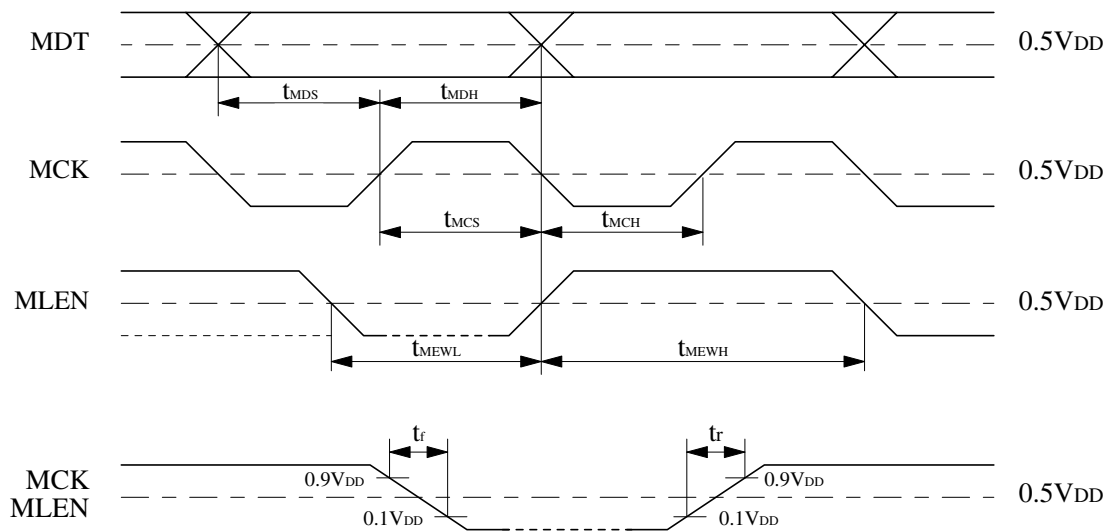
1. MDT, MCK, MLEN, RSTN, ADRS1, ADRS2

AC Digital Characteristics

DVDD = AVDD = V_{DD} = 4.5 to 5.5V, V_{SS} = 0V, Ta = -40 to 85°C

Serial inputs (MDT, MCK, MLEN)

Parameter	Symbol	Rating			Unit
		min	typ	max	
MCK, MLEN rise time	t _r	-	-	100	ns
MCK, MLEN fall time	t _f	-	-	100	ns
MCK pulse cycle	t _{MCK}	100	-	10000	ns
MDT setup time	t _{MDS}	50	-	-	ns
MDT hold time	t _{MDH}	50	-	-	ns
MLEN setup time	t _{MCS}	50	-	-	ns
MLEN hold time	t _{MCH}	50	-	-	ns
MLEN LOW-level pulsewidth	t _{MEWL}	16	-	-	t _{MCK}
MLEN HIGH-level pulsewidth	t _{MEWH}	50	-	5000	ns



Reset input (RSTN)

Parameter	Symbol	Rating			Unit
		min	typ	max	
RSTN LOW-level pulsewidth	t _{RSTN}	100	-	-	ns

AC Analog Characteristics

$V_{DD} = 5.0V$, 1.2Vrms amplitude, 1kHz input frequency, 100k Ω output load resistance, $T_a = 25^\circ C$, AC-coupled inputs

Analog inputs (LIN, RIN)

Parameter	Symbol	Condition	Rating			Unit
			min	typ	max	
Input reference amplitude	V_{AI}		–	1.2	–	Vrms
Input resistance	R_{IN}		40	50	60	k Ω
Input clipping voltage	V_{CLP}	THD + N = 1%, ATT = 0dB	–	1.75	–	Vrms

Analog outputs (LOUT, ROU)

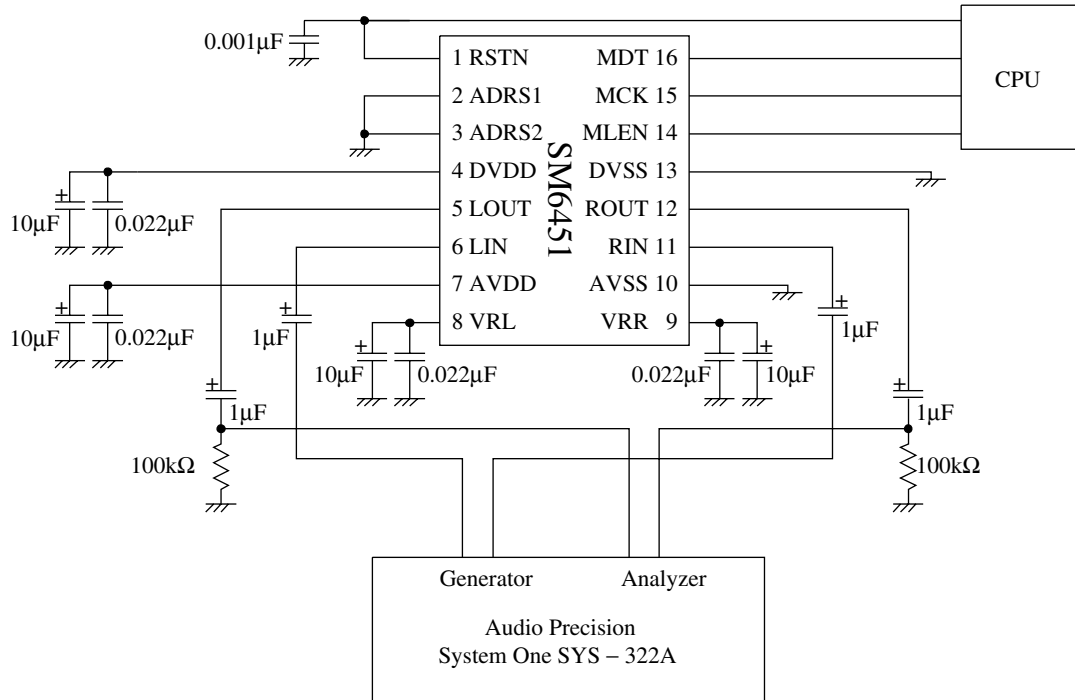
Parameter	Symbol	Condition	Rating			Unit
			min	typ	max	
Residual noise voltage	V_{NS}	Input signal: 0Vrms, A-weight filter, 0dBr = 1.2Vrms, ATT = 0dB	–	10	20	μ Vrms
Signal-to-noise ratio	SNR		95	100	–	dBr
Total harmonic distortion + noise	THD + N	ATT = 0dB, 20kHz lowpass filter	–	0.0017	0.0025	%
Gain control range	R_{CNT}		–80	–	0	dB
Step size	Step		0.8	1	1.5	dB
Attenuation error (1k to 20kHz)	ERR ₁	0 to –60dB	–2	–	1	dB
	ERR ₂	–61 to –80dB	–5	–	0	dB
Absolute attenuation (1kHz)	AT ₀	ATT = 0dB	–	–0.1	–	dB
	AT ₂	ATT = –20dB	–	–20.1	–	dB
	AT ₄	ATT = –40dB	–	–40.3	–	dB
	AT ₆	ATT = –60dB	–	–60.5	–	dB
	AT ₈	ATT = –80dB	–	–83.0	–	dB
Mute attenuation (1kHz)	Mute	ATT = Mute	–88	–92	–	dB
Channel crosstalk	CT	ATT = 0dB	–105	–112	–	dB
Frequency response	FR	ATT = 0dB, f = 200kHz	–	–5	–	dB
Quiescent output zip noise voltage (while ATT value adjusting)	N_J	0Vrms input	–	–	3	mV
Minimum driver load resistance	R_{ML}	ATT = 0dB, THD + N = 1%	–	6	10	k Ω

Reference voltage (VRL, VRR)

Parameter	Symbol	Condition	Rating			Unit
			min	typ	max	
Reference voltage output	V_{REF}		0.45V _{DD}	0.5V _{DD}	0.55V _{DD}	V

MEASUREMENT CIRCUIT

Chip address: ADRS1 = LOW, ADRS2 = LOW



MICROCONTROLLER INTERFACE

The SM6451A uses a 3-wire serial interface comprising MDT (data), MCK (clock) and MLEN (latch enable) to select channels and attenuation levels for the addressed device.

Input Timing

The microcontroller data input timing is shown in figure 1.

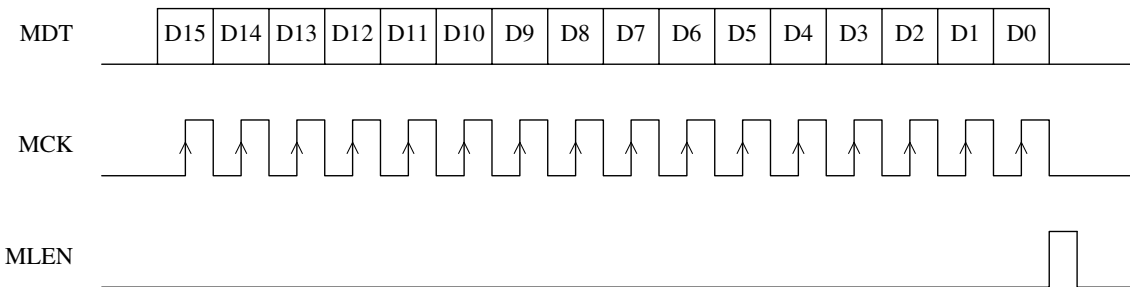


Figure 1. Microcontroller data input timing

Data is shifted into the internal shift register on the rising edge of MCK, and the attenuation value is updated on the rising edge of MLEN. Accordingly, data on MDT should be changed on the falling edge of MCK.

Note, however, a minimum of 16 MCK input pulses are required.

Data Format

The format of microcontroller input data is shown in figure 2.

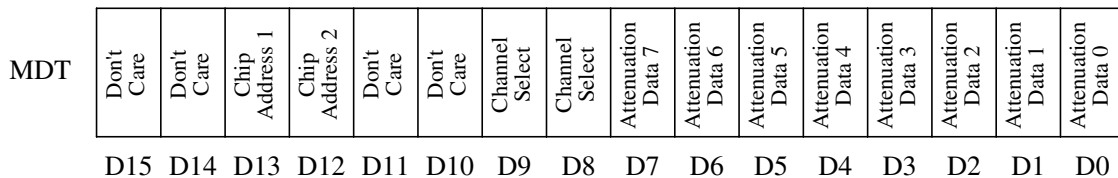


Figure 2. Microcontroller data format

D15, D14

Don't care.

D13, D12

Chip address bits. D13 corresponds to ADRS1 and D12 corresponds to ADRS2. The device is addressed only when ADRS1:ADRS2 matches D13:D12.

Example 1: If D13 = LOW, D12 = HIGH and ADRS1 = LOW, ADRS2 = LOW, then the device is not addressed since ADRS2 and D12 do not match.

Example 2: If D13/D12 = LOW and ADRS1/ADRS2 = LOW, then the device is addressed and all input data is read and the attenuation settings updated.

D11, D10

Don't care.

D9, D8

Channel select bits. The selected channel(s) are shown in table 1.

Table 1. Channel select

D9	D8	Selected channel
LOW	LOW	Both left and right channels
LOW	HIGH	Left channel
HIGH	LOW	Right channel
HIGH	HIGH	No change

D7 to D0

Attenuation register (ATT) set bits.

Table 2. Attenuation setting

Attenuation	ATT _H	D7	D6	D5	D4	D3	D2	D1	D0
0 dB	00	LOW	LOW	LOW	LOW	LOW	LOW	LOW	LOW
-1 dB	01	LOW	LOW	LOW	LOW	LOW	LOW	LOW	HIGH
-2 dB	02	LOW	LOW	LOW	LOW	LOW	LOW	HIGH	LOW
:	:	:	:	:	:	:	:	:	:
-15 dB	0F	LOW	LOW	LOW	LOW	HIGH	HIGH	HIGH	HIGH
-16 dB	10	LOW	LOW	LOW	HIGH	LOW	LOW	LOW	LOW
-17 dB	11	LOW	LOW	LOW	HIGH	LOW	LOW	LOW	HIGH
:	:	:	:	:	:	:	:	:	:
-63 dB	3F	LOW	LOW	HIGH	HIGH	HIGH	HIGH	HIGH	HIGH
-64 dB	40	LOW	HIGH	LOW	LOW	LOW	LOW	LOW	LOW
-65 dB	41	LOW	HIGH	LOW	LOW	LOW	LOW	LOW	HIGH
:	:	:	:	:	:	:	:	:	:
-79 dB	4F	LOW	HIGH	LOW	LOW	HIGH	HIGH	HIGH	HIGH
-80 dB	50	LOW	HIGH	LOW	HIGH	LOW	LOW	LOW	LOW
Mute	51	LOW	HIGH	LOW	HIGH	LOW	LOW	LOW	HIGH
Mute	52	LOW	HIGH	LOW	HIGH	LOW	LOW	HIGH	LOW
:	:	:	:	:	:	:	:	:	:
Mute	FE	HIGH	HIGH	HIGH	HIGH	HIGH	HIGH	HIGH	LOW
Mute	FF	HIGH	HIGH	HIGH	HIGH	HIGH	HIGH	HIGH	HIGH

Note. Outputs are muted after system reset.

ANALOG PERFORMANCE CHARACTERISTICS

DVDD = AVDD = 5.0V, 100kΩ output load resistance, Ta = 25°C

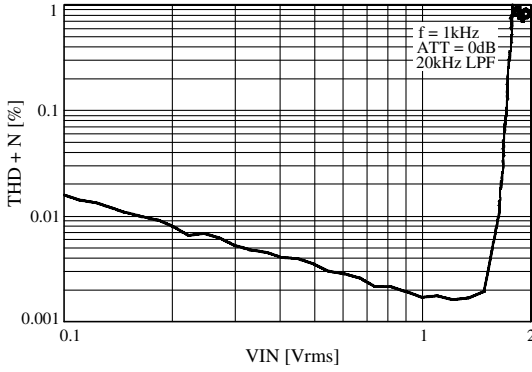


Figure 3. THD + N vs. input amplitude

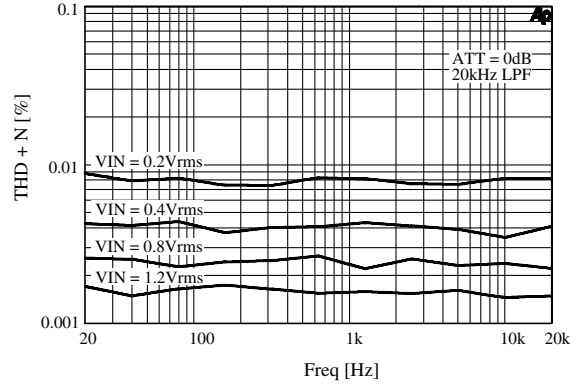


Figure 4. THD + N vs. input frequency

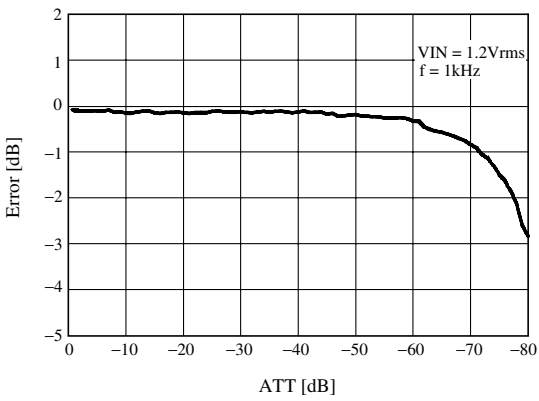


Figure 5. Attenuation error

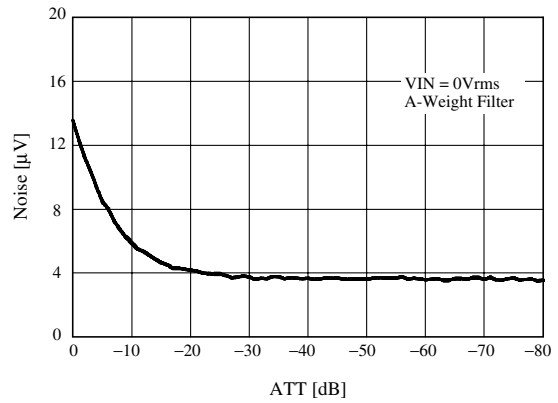


Figure 6. Residual noise vs. ATT

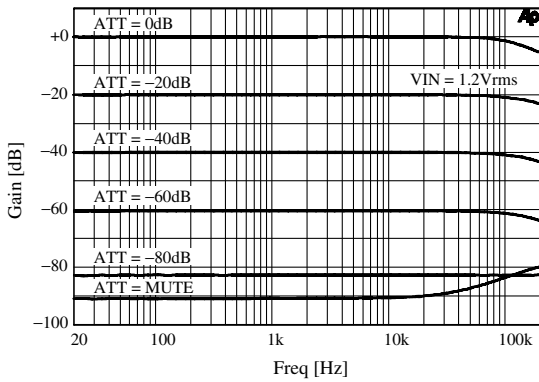


Figure 7. Frequency response

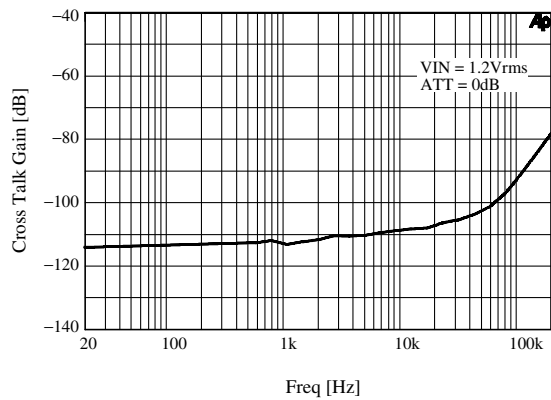


Figure 8. Crosstalk frequency response

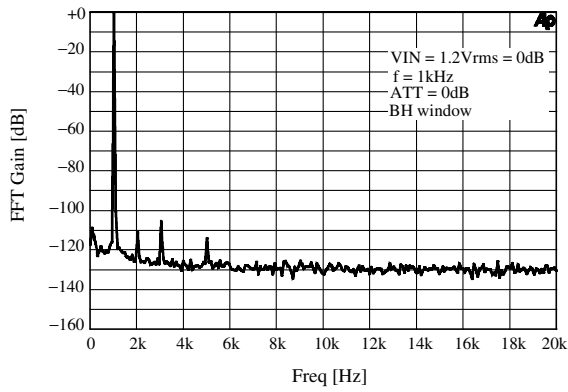


Figure 9. FFT plot (ATT = 0dB)

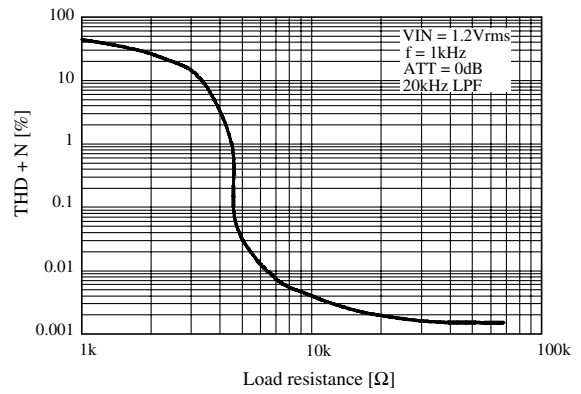


Figure 10. THD + N vs. load resistance

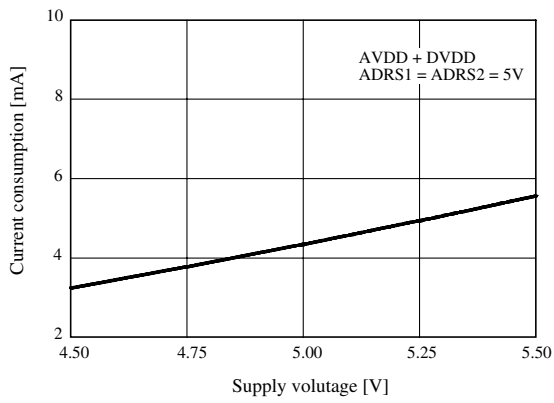


Figure 11. Current consumption vs. supply voltage

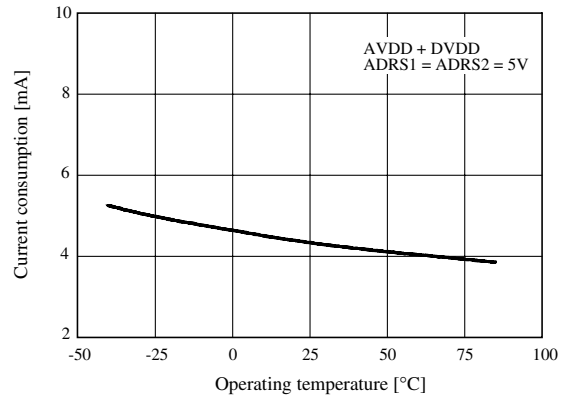


Figure 12. Current consumption vs. temperature

TYPICAL APPLICATIONS

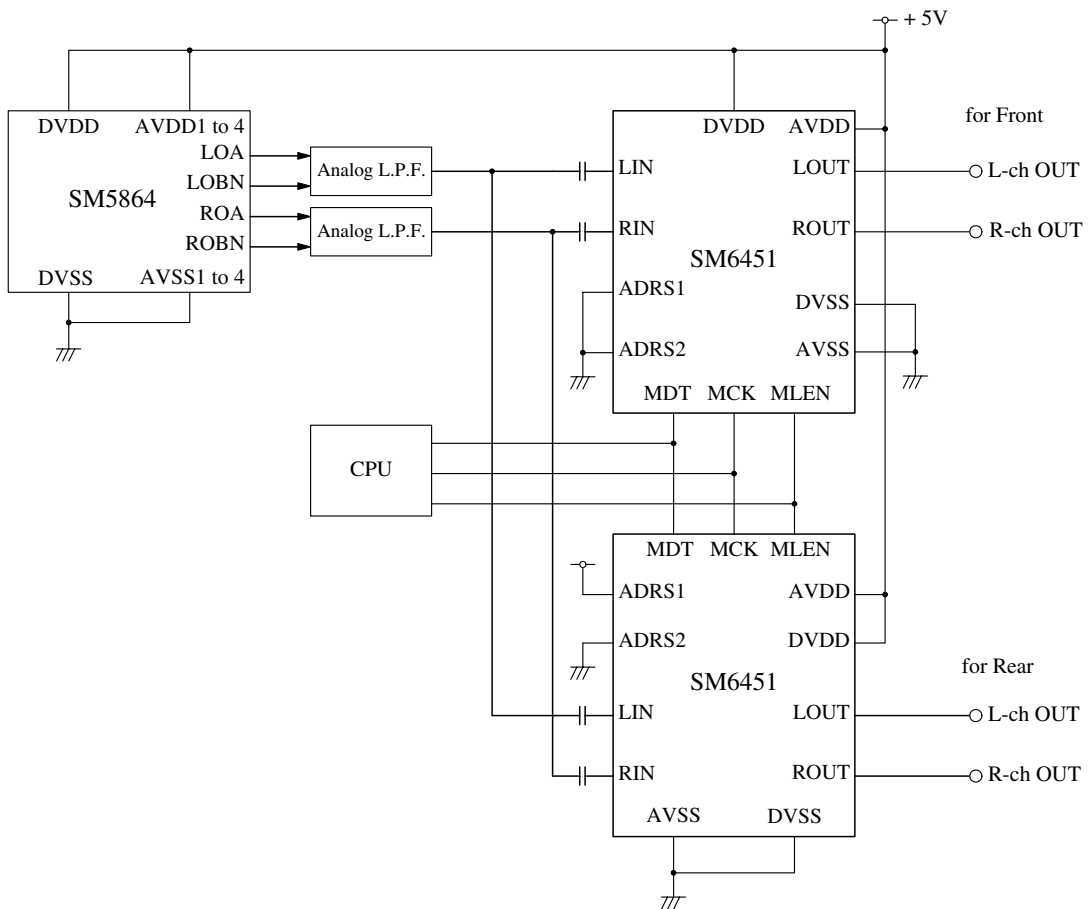
Connection Guidelines

Decoupling capacitors of approximately 10 μ F should be connected from AVDD, VRL, VRR to AVSS, and from DVDD to DVSS.

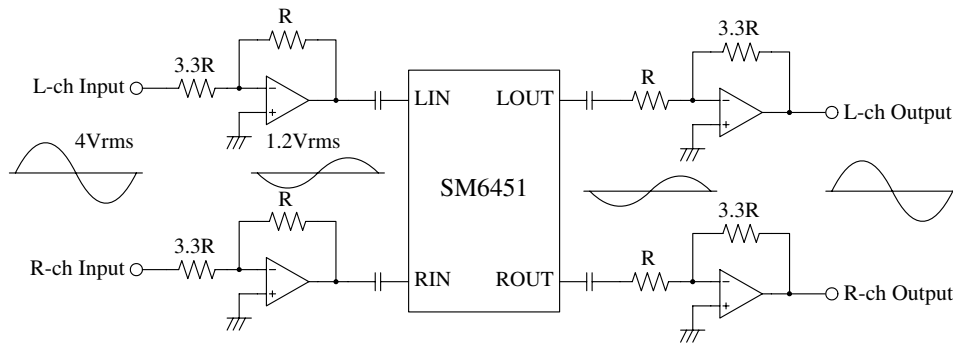
In addition, approximately 0.01 μ F capacitors should also be connected from AVDD, VRL, VRR to AVSS, and from DVDD to DVSS to suppress digital switch noise.

An approximately 0.001 μ F capacitor connected from RSTN to DVSS will force a system reset when power is applied.

Connection 1 (to DAC)

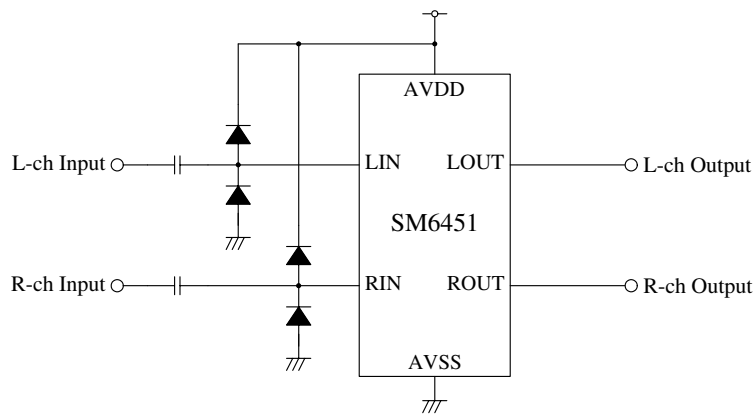


Connection 2



The SM6451A uses a 1.2Vrms input reference amplitude. If the input signal is 4Vrms, then the input must be reduced by a factor of 1/3.3, and the output increased by a factor of 3.3.

Connection 3



When there is a possibility that the input peak-to-peak amplitude will exceed the supply voltage, input protection diodes should be connected to prevent device breakdown.

Please pay your attention to the following points at time of using the products shown in this document.

The products shown in this document (hereinafter "Products") are not intended to be used for the apparatus that exerts harmful influence on human lives due to the defects, failure or malfunction of the Products. Customers are requested to obtain prior written agreement for such use from SEIKO NPC CORPORATION (hereinafter "NPC"). Customers shall be solely responsible for, and indemnify and hold NPC free and harmless from, any and all claims, damages, losses, expenses or lawsuits, due to such use without such agreement. NPC reserves the right to change the specifications of the Products in order to improve the characteristic or reliability thereof. NPC makes no claim or warranty that the contents described in this document dose not infringe any intellectual property right or other similar right owned by third parties. Therefore, NPC shall not be responsible for such problems, even if the use is in accordance with the descriptions provided in this document. Any descriptions including applications, circuits, and the parameters of the Products in this document are for reference to use the Products, and shall not be guaranteed free from defect, inapplicability to the design for the mass-production products without further testing or modification. Customers are requested not to export or re-export, directly or indirectly, the Products to any country or any entity not in compliance with or in violation of the national export administration laws, treaties, orders and regulations. Customers are requested appropriately take steps to obtain required permissions or approvals from appropriate government agencies.

The logo for SEIKO NPC CORPORATION, consisting of the letters 'NPC' in a bold, black, sans-serif font.

SEIKO NPC CORPORATION

15-6, Nihombashi-kabutocho, Chuo-ku,
Tokyo 103-0026, Japan
Telephone: +81-3-6667-6601
Facsimile: +81-3-6667-6611
<http://www.npc.co.jp/>
Email: sales@npc.co.jp

NC9704EE 2006.04