

### OVERVIEW

The SM8613AV is a portable CD player laser diode (LD) driver IC. Conventional portable CD players use a fixed-current LD drive method, but this increases the power dissipation and limits battery life. The SM8613AV employs an intermittent LD driver duty operation to reduce the laser power dissipation, which greatly reduces the current consumption when reading data and extends battery driver life.

### FEATURES

- 2.3V low-voltage supply operation
- Intermittent-duty laser driver built-in (4-times speed read, 38MHz max. intermittent output)
- Laser switching frequency range: 8.6 to 38MHz
- Fixed-current drive/intermittent-duty drive switch function
- Intermittent current duty ratio adjust function
- Automatic power control (APC) function using luminosity-monitoring photodiode (PD)
- Low power dissipation
- Package: 16-pin VSOP (lead-free)

### APPLICATIONS

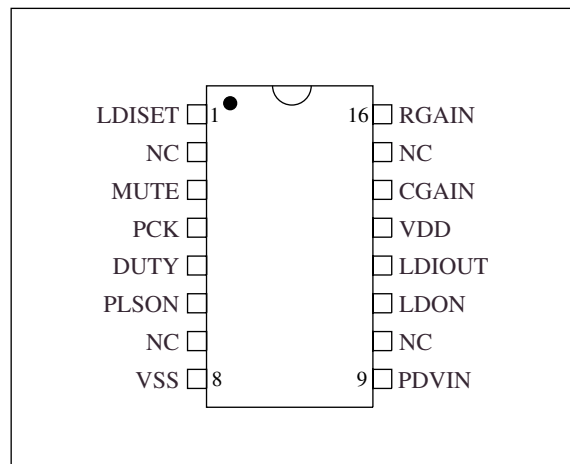
- Portable CD player

### ORDERING INFORMATION

Device	Package
SM8613AV	16-pin VSOP

### PINOUT

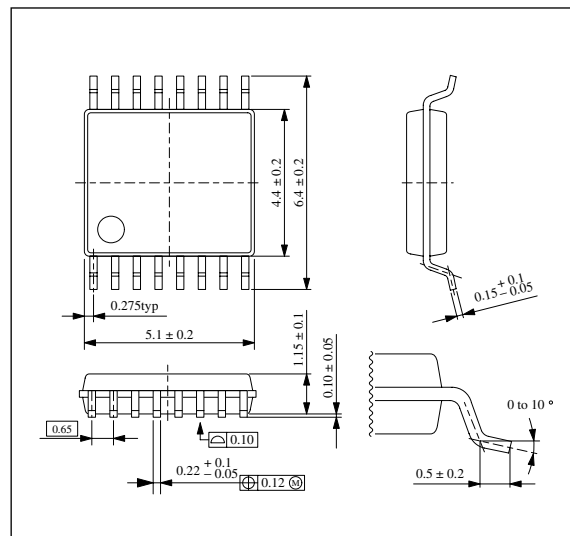
(Top view)



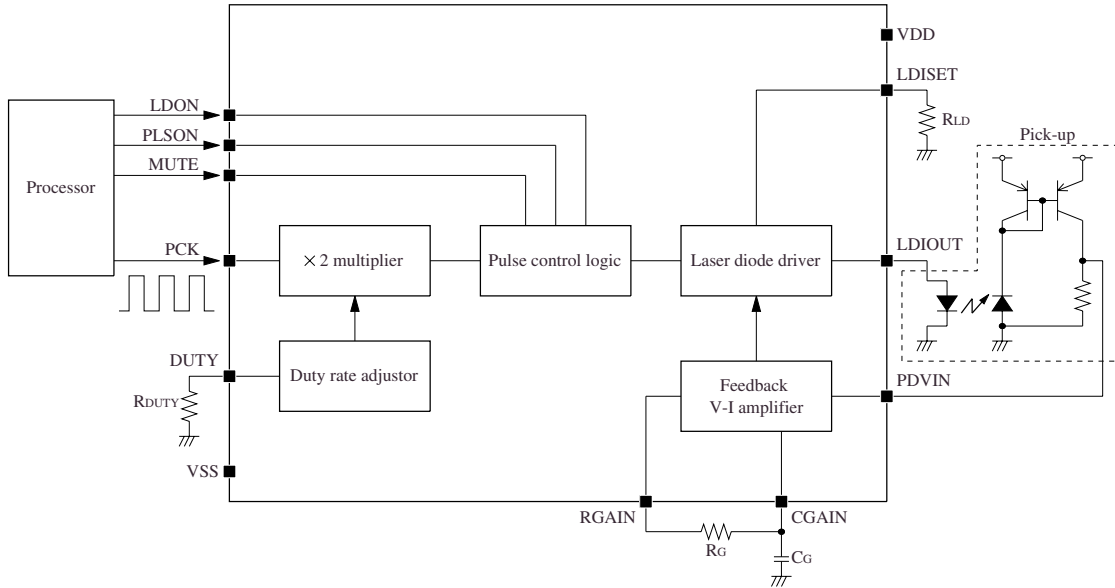
### PACKAGE DIMENSIONS

(Unit: mm)

Weight: 0.07g



**BLOCK DIAGRAM**



**PIN DESCRIPTION**

Number	Name	I/O	Description						
1	LDISET	O	LD drive maximum current setting resistor connection						
2	NC	-	No connection (must be open)						
3	MUTE	Ip	Intermittent-drive stop signal						
			<table border="1"> <thead> <tr> <th>MUTE</th> <th>Laser drive state</th> </tr> </thead> <tbody> <tr> <td>L</td> <td>LD intermittent drive control (PLSON = H)</td> </tr> <tr> <td>H</td> <td>LD constant-current drive</td> </tr> </tbody> </table>	MUTE	Laser drive state	L	LD intermittent drive control (PLSON = H)	H	LD constant-current drive
			MUTE	Laser drive state					
L	LD intermittent drive control (PLSON = H)								
H	LD constant-current drive								
4	PCK	I	Intermittent control reference pulse input						
5	DUTY	O	Intermittent-duty ratio adjust resistor connection						
6	PLSON	Ip	Intermittent-drive control signal						
			<table border="1"> <thead> <tr> <th>PLSON</th> <th>Laser drive state</th> </tr> </thead> <tbody> <tr> <td>L</td> <td>LD constant-current drive</td> </tr> <tr> <td>H</td> <td>LD intermittent drive control</td> </tr> </tbody> </table>	PLSON	Laser drive state	L	LD constant-current drive	H	LD intermittent drive control
			PLSON	Laser drive state					
L	LD constant-current drive								
H	LD intermittent drive control								
7	NC	-	No connection (must be open)						
8	VSS	-	Ground (0V DC)						
9	PDVIN	I	Laser luminosity monitor voltage input						
10	NC	-	No connection (must be open)						
11	LDON	Ip	LD drive current control signal						
			<table border="1"> <thead> <tr> <th>LDON</th> <th>Laser drive state</th> </tr> </thead> <tbody> <tr> <td>L</td> <td>LD drive stop control (sleep mode)</td> </tr> <tr> <td>H</td> <td>LD drive ON</td> </tr> </tbody> </table>	LDON	Laser drive state	L	LD drive stop control (sleep mode)	H	LD drive ON
			LDON	Laser drive state					
L	LD drive stop control (sleep mode)								
H	LD drive ON								
12	LDIOUT	O	LD drive current output						
13	VDD	-	Supply voltage (2.5V DC)						
14	CGAIN	O	APC frequency response control capacitor connection						
15	NC	-	No connection (must be open)						
16	RGAIN	O	APC loop gain control resistor connection						

Ip: Built-in pull-down resistor

## SPECIFICATIONS

### Absolute Maximum Ratings

Parameter	Symbol	Rating	Unit
Supply voltage	$V_{DD}$	- 0.5 to 7.0	V
Input voltage	$V_{IN}$	- 0.5 to $V_{DD} + 0.5$	V
Input current	$I_{IN}$	- 3.0 to + 3.0	mA
Operating temperature	$T_{OPR}$	- 20 to 70	°C
Storage temperature	$T_{STG}$	- 40 to 125	°C
Power dissipation	$P_W$	96	mW

### DC Electrical Characteristics

$V_{DD} = 2.5V$ ,  $T_a = +25^\circ C$  unless otherwise noted.

Parameter	Symbol	Condition	Rating			Unit	Test level
			min	typ	max		
Guaranteed operating supply voltage	$V_{DD}$		2.3	2.5	3.3	V	I
Current consumption	$I_{DD1}$	PDVIN-LDIOU short, $R_{LDIOU} = 4\Omega$ , LDON = HIGH, Excluding LDIOU current	1.0	1.7	2.3	mA	I
	$I_{DD2}$	LDON = LOW	-	-	30	$\mu A$	I

### Input Specifications

$V_{DD} = 2.5V$ ,  $T_a = +25^\circ C$  unless otherwise noted.

Parameter	Symbol	Condition	Rating			Unit	Test level
			min	typ	max		
PCK HIGH-level voltage	$V_{IH PCK}$		$V_{DD} \times 0.7$	-	-	V	I
PCK LOW-level voltage	$V_{IL PCK}$		-	-	$V_{DD} \times 0.3$	V	I
PCK HIGH-level sink current	$I_{HPCK}$		-	-	20	$\mu A$	I
LDON HIGH-level voltage	$V_{IHL DON}$		$V_{DD} \times 0.7$	-	-	V	I
LDON LOW-level voltage	$V_{ILL DON}$		-	-	$V_{DD} \times 0.3$	V	I
LDON HIGH-level sink current	$I_{HLDON}$		-	-	20	$\mu A$	I
PLSON HIGH-level voltage	$V_{IH PLS ON}$		$V_{DD} \times 0.7$	-	-	V	I
PLSON LOW-level voltage	$V_{IL PLS ON}$		-	-	$V_{DD} \times 0.3$	V	I
PLSON HIGH-level sink current	$I_{H PLS ON}$		-	-	20	$\mu A$	I
MUTE HIGH-level voltage	$V_{IH MUTE}$		$V_{DD} \times 0.7$	-	-	V	I
MUTE LOW-level voltage	$V_{IL MUTE}$		-	-	$V_{DD} \times 0.3$	V	I
MUTE HIGH-level sink current	$I_{H MUTE}$		-	-	20	$\mu A$	I

## Electrical Characteristics

$V_{DD} = 2.5V$ ,  $T_a = +25^{\circ}C$  unless otherwise noted.

Parameter	Symbol	Condition	Rating			Unit	Test level
			min	typ	max		
PCK minimum input frequency	$f_{PCKMIN}$		–	–	4.3	MHz	I
PCK maximum input frequency	$f_{PCKMAX}$		19	–	–	MHz	I
Intermittent current output frequency range	$f_{LD}$		8.6	–	38	MHz	I
LDON response time	$t_{LDON}$	LDON = LOW to HIGH, (LDIOUT) to 90%, $C_G = 6800pF$	–	–	110	$\mu s$	II
PLSON, MUTE response time 1	$t_{PLSON1}$	PLSON = LOW to HIGH (MUTE: LOW), MUTE = HIGH to LOW (PLSON: HIGH), until the duty ratio stabilizes	–	–	20	$\mu s$	II
PLSON, MUTE response time 2	$t_{PLSON2}$	PLSON = HIGH to LOW (MUTE: LOW), MUTE = LOW to HIGH (PLSON: HIGH)	–	–	25	ns	II
LDIOUT maximum output current	$I_{LDMAX}$	PDVIN = 0V	40	–	–	mA	I
LDIOUT intermittent current rise time	$t_{LDIR}$		–	–	10	ns	II
LDIOUT intermittent current fall time	$t_{LDIF}$		–	–	10	ns	II
LDISET voltage	$V_{LDISET}$	$1/3V_{DD}$	0.75	0.83	0.92	V	I
PDVIN convergence voltage	$V_{PDVIN}$	$R_G = 33k\Omega$ , $V_{DD} = 2.5V$ , PDVIN – LDIOUT short, $R_{LDIOUT} = 20\Omega$	145	160	175	mV	I
PDVIN input impedance	$Z_{PDVIN}$		1	–	–	$M\Omega$	II
APC loop cutoff frequency	$f_{APC}$	$C_G = 6800pF$	–	25	100	kHz	I
Minimum duty ratio	$DR_{MIN}$	PCK = 4.3MHz, $R_{DUTY} = 15k\Omega$	20	–	40	%	I
Maximum duty ratio	$DR_{MAX}$	PCK = 4.3MHz, $R_{DUTY} = 5k\Omega$	55	–	85	%	I
Minimum LD current ON time	$t_{LDION}$		–	14	–	ns	II

Note 1) LDON has internal pull-down resistor.

Note 2) PLSON has internal pull-down resistor.

Note 3) MUTE has internal pull-down resistor.

Note 4) LDISET is in high-impedance state when LDON is HIGH.

Note 5) DUTY is in high-impedance state when LDON is HIGH.

## Test level description

Test level I	100% of devices tested at +25°C
Test level II	Specifications guaranteed according to design and evaluation tests.

## FUNCTIONAL DESCRIPTION

### LD Driver Control

The LD is controlled by the 3 logic-level signals on LDON, PLSON, and MUTE. When LDON is HIGH, the LD is in drive mode and the drive current is output on LDIOOUT. When LDON is LOW (sleep mode), the LD drive mode stops (LDIOOUT output current = 0mA).

Also when LDON is HIGH, LD intermittent drive mode operation occurs when PLSON is HIGH and MUTE is LOW.

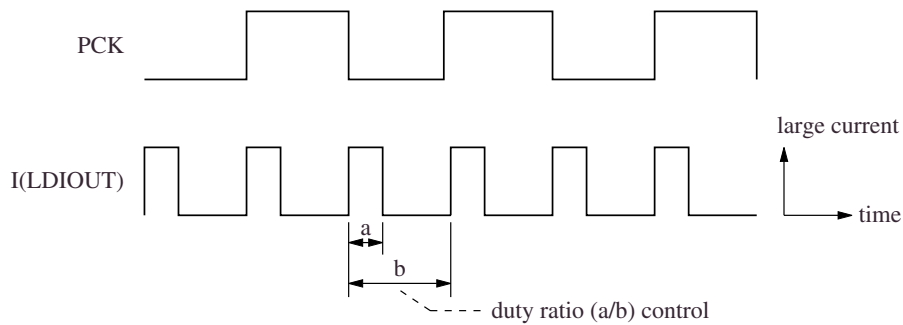
Table 1. Control signals and laser drive states

LDON	PLSON	MUTE	Laser drive state
H	L	L	LDIOOUT constant-current output
H	L	H	LDIOOUT constant-current output
H	H	L	LDIOOUT intermittent current output
H	H	H	LDIOOUT constant-current output
L	×	×	LDIOOUT = 0mA (sleep mode)

Note) × : Don't care.

### Frequency Multiplier Function and LD Drive Current Duty Ratio Setting

The SM8613AV multiplies the PCK input frequency by 2, which is then used as the intermittent-drive reference frequency. The intermittent drive LD current ON time is shown in the following figure.



The intermittent current output from LDIOOUT is automatically adjusted as the frequency changes to maintain the duty ratio almost constant. The intermittent current duty ratio is set by resistor  $R_{DUTY}$  connected between DUTY and VSS pins, and is given by the following equation.

$$dutyratio = \left( 1 - \frac{\frac{3}{2}V(DUTY)}{\frac{1}{2}VDD} \right) \times 100 = \frac{44[\text{k}\Omega] - 2 \times R_{DUTY}}{R_{DUTY} + 44[\text{k}\Omega]} \times 100 [\%]$$

$$V(DUTY) = \frac{R_{DUTY}}{R_{DUTY} + 44[\text{k}\Omega]} \times VDD [\text{V}]$$

$R_{DUTY}$ : resistor connected to DUTY pin [kΩ]

### Laser Diode Drive Current Mid-value Set Function

The laser diode drive current mid-value can be adjusted by changing the resistance  $R_{LD}$  connected between the LDISET and VSS pins. The laser diode drive current mid-value reference value  $I_{LDO}$ , given by the following equation, is set to the LDIOOUT output current when the PDVIN voltage is in balance state (147 to 193mV). Note that the actual LDIOOUT current may change due to feedback gain, and laser diode/photo diode tolerance variations.

If  $R_G$  is not connected, the output current has no relationship to the reference current value, but is determined by the PDVIN convergence voltage.

$$I_{LDO} = I_{LDSET} \times 120 = \frac{40V_{DD}}{R_{LD}} \text{ [A]}$$

$R_{LD}$ : LDISET connected resistor [ $\Omega$ ]

### APC Loop Gain Setting

The APC loop gain can be adjusted using an external resistor  $R_G$ . The gain set resistor,  $R_G$ , is connected between RGAIN and CGAIN. The PDVIN voltage to laser drive current open-loop gain is given approximately by the following equation.

$$G_{mPDVIN} = 1.15 \times 10^{-4} R_G \text{ [S]}$$

$\Delta$ LDIOOUT current /  $\Delta$ PDVIN voltage ratio [S]  
 $R_G$ : RGAIN–CGAIN resistor [ $\Omega$ ]

If the external resistor  $R_G$  is removed, the maximum gain  $G_m = 26$  [S] is selected.

### APC Loop Cutoff Frequency Setting

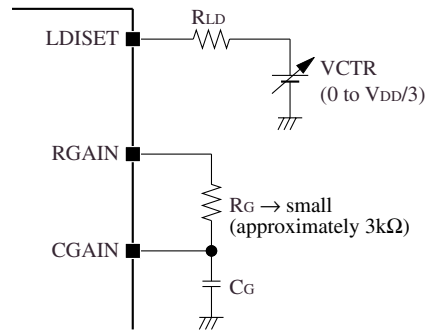
The APC loop cutoff frequency  $f_{APC}$  is determined by the capacitor  $C_G$  connected between CGAIN and VSS pins. The same result occurs if  $C_G$  is connected between RGAIN and CGAIN pins.

$$f_{APC} = \frac{1}{2\pi 950 C_G} \text{ [Hz]}$$

## Laser APC Convergence Current External Signal Adjustment

The LD convergence current is determined by the internal bias voltage. However, if the APC loop gain resistor  $R_G$  is small, the convergence current can be adjusted externally.

The convergence current is adjusted by the LDISET current, shown in the figure below. With VCTR in the range 0 to  $1/3V_{DD}$ , the LDISET current decreases with increasing VCTR, and the laser convergence current center point also decreases in response.



Please pay your attention to the following points at time of using the products shown in this document.

The products shown in this document (hereinafter "Products") are not intended to be used for the apparatus that exerts harmful influence on human lives due to the defects, failure or malfunction of the Products. Customers are requested to obtain prior written agreement for such use from SEIKO NPC CORPORATION (hereinafter "NPC"). Customers shall be solely responsible for, and indemnify and hold NPC free and harmless from, any and all claims, damages, losses, expenses or lawsuits, due to such use without such agreement. NPC reserves the right to change the specifications of the Products in order to improve the characteristic or reliability thereof. NPC makes no claim or warranty that the contents described in this document dose not infringe any intellectual property right or other similar right owned by third parties. Therefore, NPC shall not be responsible for such problems, even if the use is in accordance with the descriptions provided in this document. Any descriptions including applications, circuits, and the parameters of the Products in this document are for reference to use the Products, and shall not be guaranteed free from defect, inapplicability to the design for the mass-production products without further testing or modification. Customers are requested not to export or re-export, directly or indirectly, the Products to any country or any entity not in compliance with or in violation of the national export administration laws, treaties, orders and regulations. Customers are requested appropriately take steps to obtain required permissions or approvals from appropriate government agencies.

The logo for SEIKO NPC CORPORATION, consisting of the letters 'NPC' in a bold, black, sans-serif font.

**SEIKO NPC CORPORATION**

15-6, Nihombashi-kabutocho, Chuo-ku,  
Tokyo 103-0026, Japan  
Telephone: +81-3-6667-6601  
Facsimile: +81-3-6667-6611  
<http://www.npc.co.jp/>  
Email: [sales@npc.co.jp](mailto:sales@npc.co.jp)

NC0112BE 2006.04